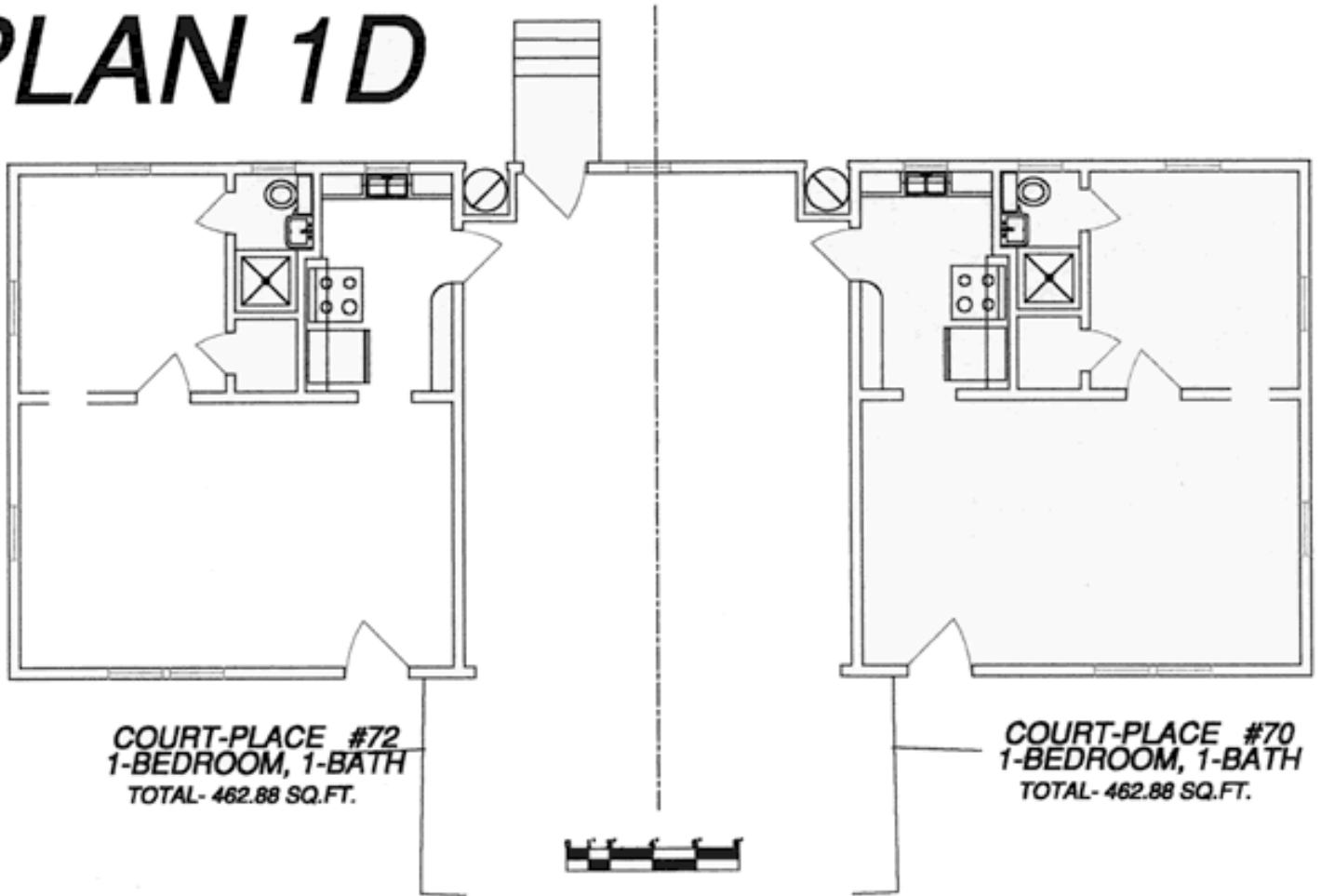


PLAN 1D



COURT-PLACE #72
1-BEDROOM, 1-BATH
TOTAL- 462.88 SQ.FT.

COURT-PLACE #70
1-BEDROOM, 1-BATH
TOTAL- 462.88 SQ.FT.